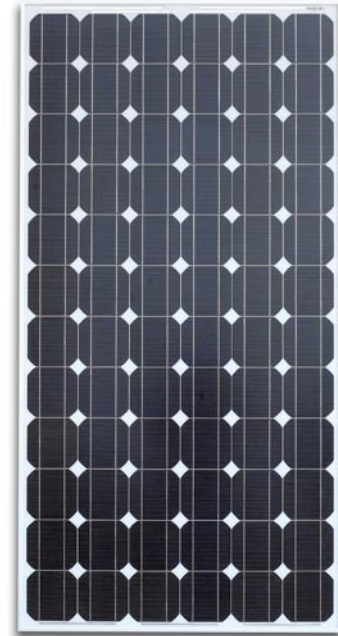


## 190W Maximum Power Mono-Crystalline Solar Module

### Benefits:

- High and stable conversion efficiency based on over 4 years professional experience
- High reliability with guaranteed +/-3% output power tolerance
- Proven materials,tempered front glass,and a sturdy anodized aluminum frame allow modules to operate reliably in multiple mountily configurations
- Combination of high efficiency and attractive appearance



### Quality and Safety

- 25-year output power warranty
- ISO9001:2000 (Quality Management System) certified factory
- IEC61215,Safety tested IEC61730, CE.
- Product Quality Warranty & Product Liability Insurance guarantee end users' benefits



## Temperature Coefficients

NOCT	45 +/-2°C
Voltage temperature coefficient(Voc)	-0.36%/°C
Current temperature coefficient(Isc)	+0.033%/°C
Power temperature coefficient(Pmpp)	-0.44%/°C
Minimum power tolerance	+/-3%

NOCT:Nominal Operating cell Temperature

## Mechanical Data

Solar Cell	72 Mono-crystalline 125 × 125mm
Front Glass	3.2mm tempered
Junction Box	IP 65 rated
Output Cables	900mm length cable/compliable with MC III or MC IV connectors
Frame	Anodized aluminium
Weight	15kg
Dimension	1580×808×35mm

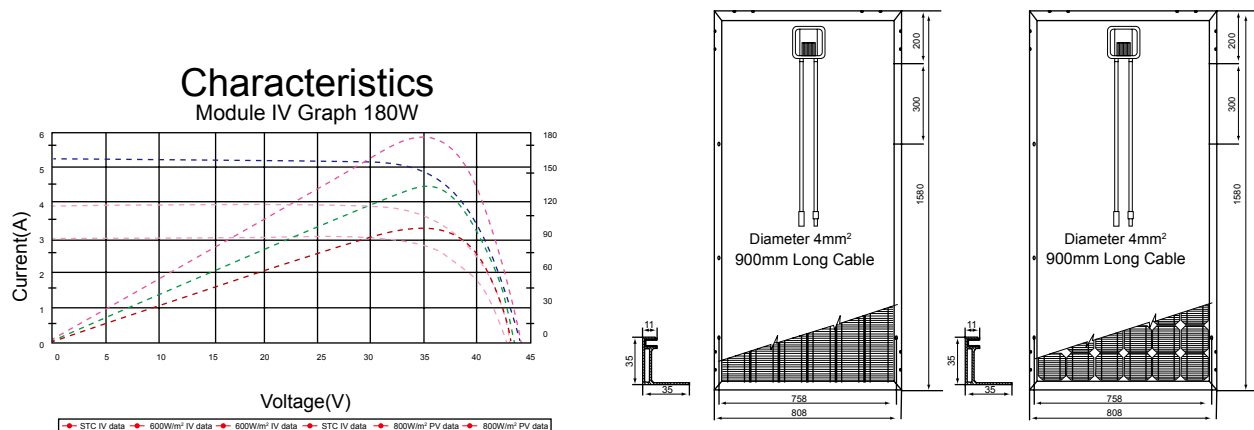
## Warranty and Certifications

Warranty	3 years workmanship, 10 years 90%, 25 years 80% power warranty
Certifications	IEC61215, Safety tested IEC61730, CE

## Electrical Data

Module Type	SL 160-24M	SL 160-24M	SL 160-24M	SL 160-24M	SL 160-24M
Nominal peak power(Wp)	170W	175W	180W	185W	190W
Nominal voltage(Vmpp) at STC	35.9V	36.0V	36.0V	36.2V	36.2V
Nominal current(Imp) at STC	4.74A	4.86A	5.00A	5.11A	5.25A
Open circuit voltage(Voc) at STC	44.5V	44.8V	45.0V	45.2V	45.4V
Short circuit current(Isc) at STC	5.12A	5.17A	5.20A	5.32A	5.44A
Module efficiency	13.6%	14.0%	14.4%	14.5%	14.9%
Maximum System Voltage	1000V DC	1000V DC	1000V DC	1000V DC	1000V DC

STC:1000W/m<sup>2</sup>,25°C



**CAUTION:Read Safety And Installation.Instructions Before Using The Product.**

© October 2008 SunLink PV Co.,Ltd. All rights reserved. Sepcifications included in this datasheet are subject to change without notice.

♻️ Printed on recycled paper.